

More information:

www.blug.es/eng/productos/



MACHINE TYPE

CLAMSHELL GRAB

WORKING SYSTEM

ELECTRO-HYDRAULIC

MATERIAL TO BE HANDLED

PILED AND BULK MATERIAL UP TO 1,1 t/m³ DENSITY

REFERENCE

C4-1,1

p. 23



MAX. MATERIAL DENSITY

1,1 T/M³

CYLINDER QUANTITY

4

RELATED PRODUCTS



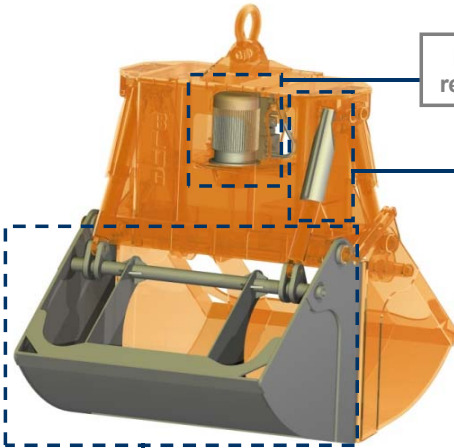
CV2-1,1



C2H-1,1

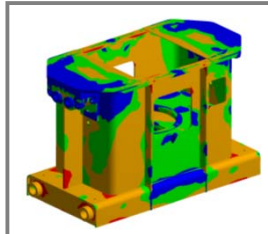


CM4-1,1



Hydraulic unit equipped with self-regulated piston variable flow pump

Full protected hydraulic cylinders



Structure validated by Finite Elements Analysis

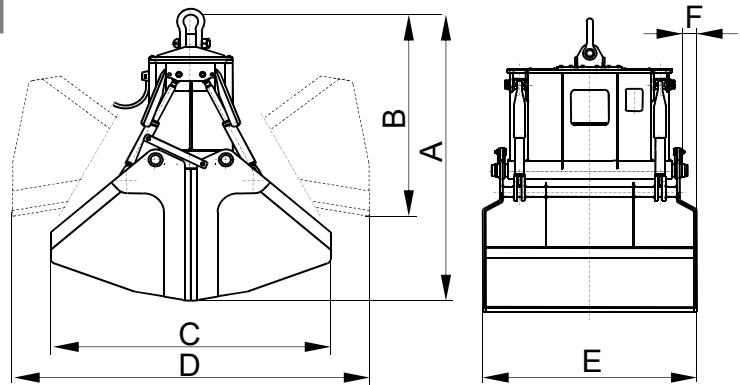
Clamshell design with optimal penetration that allows full loading in all the operations thanks to a kinematic design at lifting and penetration mode including wear resistant lips

Equipment needed

- Hook(s) or lifting chain(s).
- Electric connection for hydraulic unit.

Technical information

- Robust structure in S355 J2G3 rolled steel.
- Oil tank tightly enclosed and protected from environment impurities.
- Reduced height, multi-stable, can work at any angle (± 60°).
- Design & fabrication according to standard FEM 1001/98 section I.
- CE conformity.



Reference	Capacity	Engine 40% ED	Intensity 400 V	Working pressure	Closing time	Opening time	Crane SWL	Weight	Dimensions					
									mm	A	B	C	D	E
C4-5000-1,1	5	20,5	39	140	12	6	12,5	4200	3135	2180	2950	3770	2260	0
C4-6000-1,1	6	20,5	39	150	12	6	12,5	4500	3135	2180	2950	3770	2260	200
C4-7000-1,1	7	20,5	39	165	12	6	14	5000	3140	2190	3010	3790	2620	350
C4-8000-1,1	8	25,5	48,5	150	14	7	16	6900	3715	2480	3725	4390	2360	0
C4-9000-1,1	9	25,5	48,5	170	14	7	18	7200	3720	2500	3740	4410	2420	125
C4-10000-1,1	10	31,5	61	180	14	7	20	7400	3730	2510	3750	4430	2680	250
C4-11000-1,1	11	31,5	61	200	14	7	20	7600	3740	2520	3770	4450	2950	400
C4-12000-1,1	12	40	74,5	170	14	7	25	9400	4250	2840	4280	4960	2700	0
C4-13000-1,1	13	40	74,5	190	14	7	25	9600	4260	2850	4300	4980	2950	125
C4-14000-1,1	14	40	74,5	200	14	7	30	9850	4280	2860	4320	5000	3350	200
C4-15000-1,1	15	40	74,5	210	14	7	30	10100	4290	2880	4340	5020	3950	300

SUBJECT TO CHANGE WITHOUT NOTICE.

You can request any model's offer visiting our web site www.blug.es or sending an email to comercial@blug.es