

More information:

www.blug.es/eng/productos/

BLUG®

Credeblug, s.l.

MACHINE TYPE

CLAMSHELL GRAB

WORKING SYSTEM

ELECTRO-HYDRAULIC

MATERIAL TO BE HANDLED

CEMENT, HOT CLINKER (300°C) AND PILED AND BULK MATERIAL UP TO 1,8 t/m³ DENSITY

REFERENCE

C4-1,8

p. 27



MAX. MATERIAL DENSITY

1,8 T/M³

CYLINDER QUANTITY

4

RELATED PRODUCTS



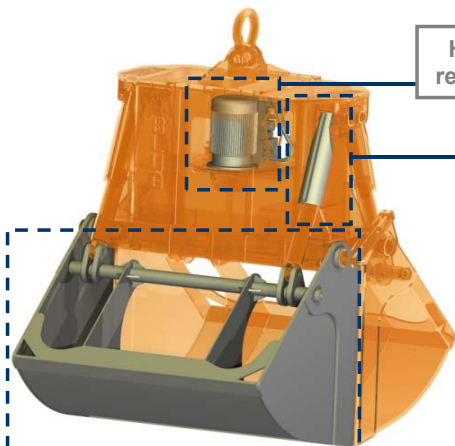
CV2-1,8



C2H-1,8

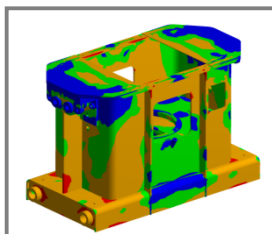


CM4-1,8



Hydraulic unit equipped with self-regulated piston variable flow pump

Full protected hydraulic cylinders



Structure validated by Finite Elements Analysis



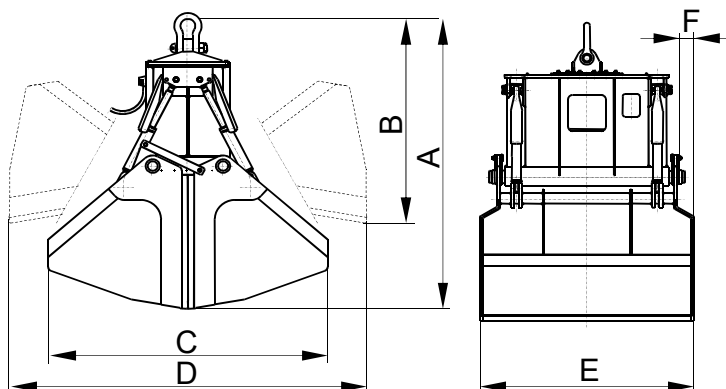
Clamshell design with optimal penetration that allows full loading in all the operations thanks to a kinematic design at lifting and penetration mode including wear resistant lips

Equipment needed

- Hook(s) or lifting chain(s).
- Electric connection for hydraulic unit.

Technical information

- Robust structure in S355 J2G3 rolled steel.
- Oil tank tightly enclosed and protected from environment impurities.
- Reduced height, multi-stable, can work at any angle ($\pm 60^\circ$).
- Design & fabrication according to standard FEM 1001/98 section I.
- CE conformity.



Reference	Capacity	Engine	Intensy	Working	Closing	Opening	Crane	Weight	Dimensions					
	m ³	40% ED	400 V	pressure	time	time	SWL	kg	mm					
		kW	A	bar	s	s	t		A	B	C	D	E	F
C4-4000-1,8	4	20,5	39	165	12	6	12,5	4900	2960	2100	2760	3340	2070	0
C4-5000-1,8	5	25,5	48,5	170	14	7	16	6800	3360	2460	2940	3700	2360	0
C4-6000-1,8	6	31,5	61	200	14	7	18	7100	3380	2470	2960	3720	2760	200
C4-7000-1,8	7	31,5	61	215	14	7	20	7400	3400	2480	2980	3740	3460	350
C4-8000-1,8	8	40	74,5	210	14	7	25	9200	3810	2780	3630	4170	2700	0
C4-9500-1,8	9,5	40	74,5	220	14	7	30	10100	3830	2790	3650	4190	3200	250

SUBJECT TO CHANGE WITHOUT NOTICE.

You can request any model's offer visiting our web site www.blug.es or sending an email to comercial@blug.es