

More information:

www.blug.es/eng/productos/



REFERENCE

CM1R-1,8

p. 34



MAX. MATERIAL DENSITY

1,8 T/M³

CABLE QUANTITY

1

RELATED PRODUCTS



CM1-1,8



CM2-1,8



CM4-1,8

MACHINE TYPE

CLAMSHELL GRAB

WORKING SYSTEM

MECHANICAL (RADIO CONTROLLED)

MATERIAL TO BE HANDLED

CEMENT, CLINKER, BAUXITE, FELDSPAR, PILED AND BULK MATERIAL UP TO 1,8 t/m³ DENSITY

Damping system for grab's opening

Radio controlled opening operation. There is no electric supply to the grab

Unlocking system commanded by a hydraulic cylinder

Structure validated by Finite Elements Analysis

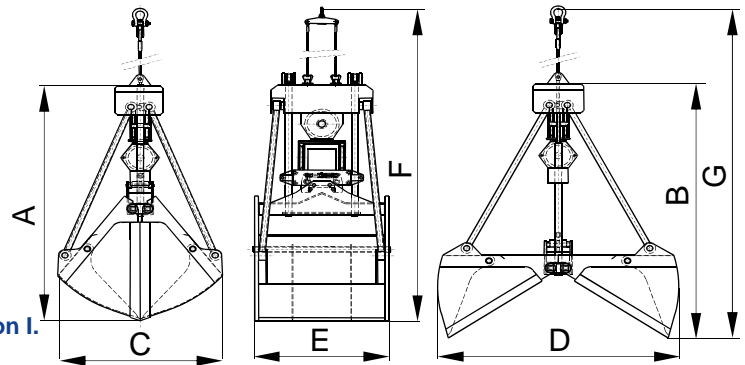
Clamshell design with optimal penetration that allows full loading in all the operations thanks to a kinematic design at lifting and penetration mode including wear resistant lips

Equipment needed

- 1 lifting cable.

Technical information

- Robust structure in S355 J2G3 rolled steel.
- Complete load through maximum penetration force.
- Design & fabrication according to standard FEM 1001/98 section I.
- CE conformity.



Reference	Capacity m ³	Withdrawn cable m	Pulley Ø mm	Cable Ø mm	Crane SWL t	Weight kg	Dimensions mm						
							A	B	C	D	E	F	G
CM1R-3400-1,8	3,4	3400	450	22	10	3750	2980	3135	2535	2870	2130	7045	7200
CM1R-4200-1,8	4,2	3200	450	24	12,5	4750	2970	3090	2245	2915	2425	6850	6970
CM1R-5400-1,8	5,4	3510	500	26	16	6000	3210	3350	2500	3170	2510	7410	7550
CM1R-6500-1,8	6,5	3720	565	28	20	7500	3485	3615	2650	3410	2700	7900	8025
CM1R-8500-1,8	8,5	4085	625	32	25	9300	3940	4065	2885	3725	2975	8710	8840
CM1R-10000-1,8	10	4800	700	36	30	10000	4100	4300	3100	3900	3200	9500	9300
CM1R-11500-1,8	11,5	5030	700	36	32	10800	4250	4610	3320	4200	3425	10300	10700

SUBJET TO CHANGE WITHOUT NOTICE.

Reeving system 1 / 3 / 1 / 4

You can request any model's offer visiting our web site www.blug.es or sending an email to comercial@blug.es