

More information:

www.blug.es/eng/productos/

BLUG®

Credeblug, s.l.

MACHINE TYPE

CLAMSHELL GRAB

WORKING SYSTEM

MECHANICAL

MATERIAL TO BE HANDLED



REFERENCE

CM2-1,8



MAX. MATERIAL DENSITY

1,8 T/M³

CABLE QUANTITY

2

p. 35

RELATED PRODUCTS



CM1-1,8



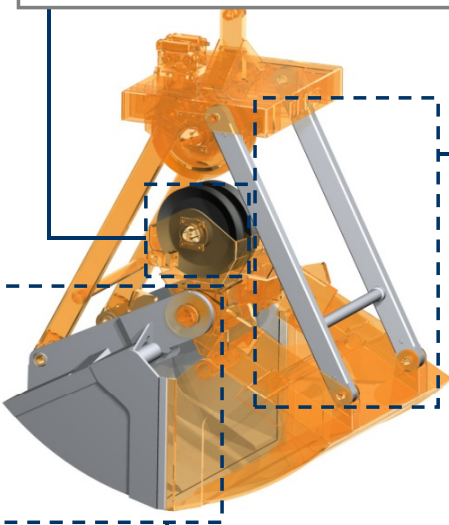
CM1R-1,8



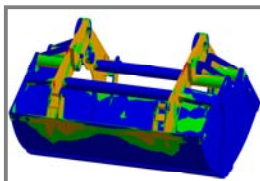
CM4-1,8

CEMENT, CLINKER, PILED AND BULK MATERIAL UP TO 1,8 t/m³ DENSITY

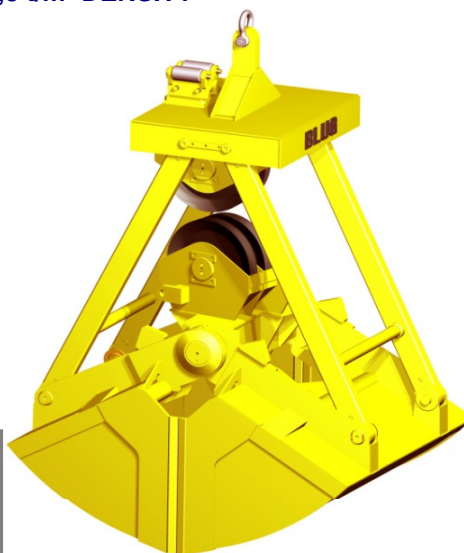
Pulleys block with tempered contact surfaces and mounted on cushions / rollings



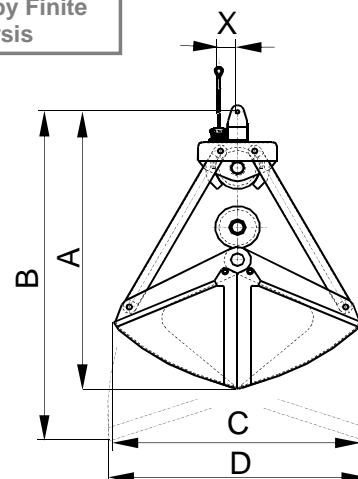
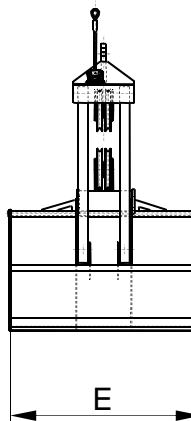
Articulated arms to compensate disalignment between valves and top body



Clamshell design with optimal penetration that allows full loading in all the operations thanks to a kinematic design at lifting and penetration mode including wear resistant lips



Structure validated by Finite Elements Analysis



Equipment needed

- 1 lifting cable.
- 1 opening / closing cable.

Technical information

- Robust structure in S355 J2G3 rolled steel.
- Complete load through maximum penetration force.
- Design & fabrication according to standard FEM 1001/98 section I.
- CE conformity.

Reference	Capacity m ³	Withdrawn cable m	Pulley Ø mm	Cable Ø mm	Crane SWL t	Weight kg	Dimensions mm					
							A	B	C	D	E	X
CM2-1000-1,8	1	5.350	355	18	4	1375	2200	2460	1560	1900	1600	175
CM2-1250-1,8	1,2	5.850	355	20	4	1485	2300	2570	1660	2150	1600	175
CM2-1500-1,8	1,5	6.800	355	22	5	1760	2620	3050	2020	2220	1800	210
CM2-2000-1,8	2	7.500	400	22	6,3	1928	2720	3210	2180	2410	1850	210
CM2-2250-1,8	2,25	7.500	400	24	8	2035	2770	3220	2180	2520	1900	210
CM2-2500-1,8	2,5	7.250	400	26	8	2574	2860	3260	2140	2480	2050	250
CM2-3000-1,8	3	8.000	400	26	10	2640	2930	3410	2320	2600	2200	250
CM2-3500-1,8	3,5	8.550	400	28	10	2728	2990	3520	2440	2720	2300	250
CM2-4000-1,8	4	9.050	500	30	12	3300	3400	3830	3580	3280	2300	260
CM2-4500-1,8	4,5	9.050	500	30	12	3410	3460	3840	2580	3400	2400	260
CM2-5000-1,8	5	9.350	500	32	16	3564	3500	3900	2650	3480	2500	260

SUBJECT TO CHANGE WITHOUT NOTICE.

Reeving system 1:3 / 1:4

You can request any model's offer visiting our web site www.blug.es or sending an email to comercial@blug.es