

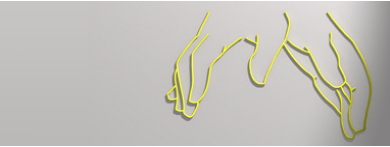
More information:
www.blug.es/eng/productos/



MACHINE TYPE
CLAMSHELL GRAB
WORKING SYSTEM
MECHANICAL
MATERIAL TO BE HANDLED



REFERENCE
CM4-1,8

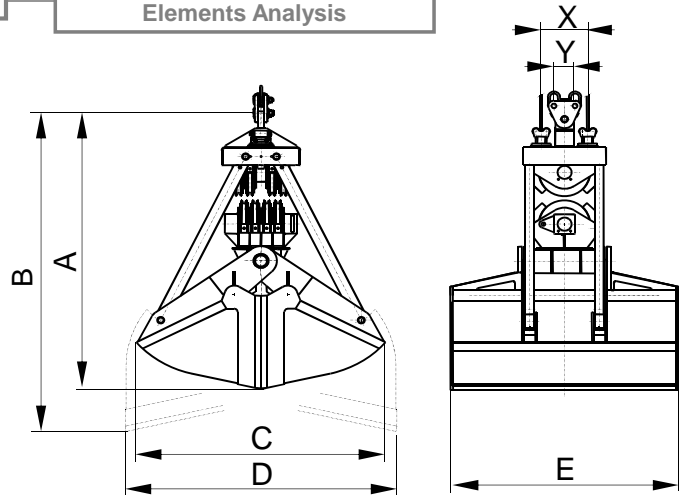
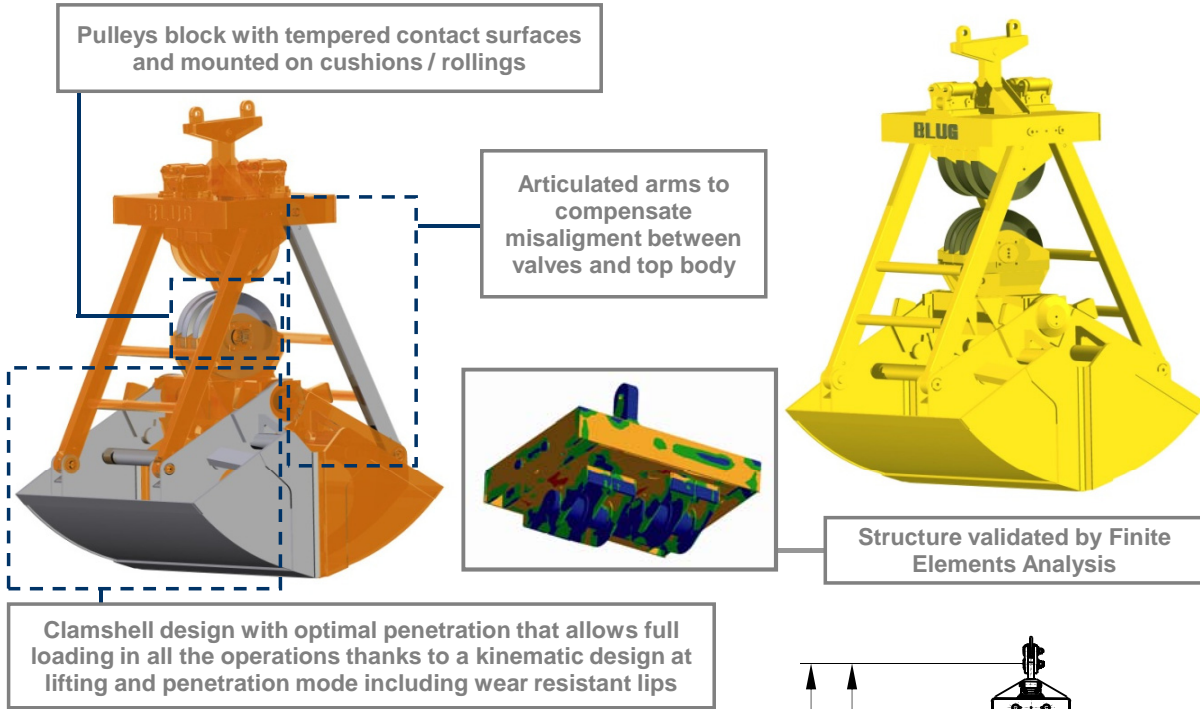


MAX. MATERIAL DENSITY
1,8 T/M³
CABLE QUANTITY
4

p. 40



CEMENT, CLINKER, PILED AND BULK MATERIAL UP TO 1,8 t/m³ DENSITY



Equipment needed

- 2 lifting cables.
- 2 opening / closing cables.

Technical information

- Robust structure in S355 J2G3 rolled steel.
- Complete load through maximum penetration force.
- Design & fabrication according to standard FEM 1001/98 section I.
- CE conformity.

Reference	Capacity 30° slope m ³	Withdrawn cable m	Pulley Ø mm	Cable Ø mm	Crane SWL t	Weight kg	Dimensions mm						
							A	B	C	D	E	X	Y
CM4-1600-1,8	1,6	4,1	355	16	6,3	1900	2525	2765	1895	2130	1660	380	160
CM4-2000-1,8	2	4,1	355	16	6,3	2200	2625	2795	2065	2320	1760	380	160
CM4-2500-1,8	2,5	4,9	450	22	8	2900	3040	3325	2240	2510	1885	480	220
CM4-3000-1,8	3	4,9	450	22	10	3200	3140	3350	2410	2700	1935	480	220
CM4-4000-1,8	4	8,8	560	26	12,5	4700	3575	4055	2685	3200	2005	595	280
CM4-5000-1,8	5	8,8	560	26	16	5200	3675	4080	2840	3400	2105	595	280
CM4-6000-1,8	6	8,8	560	26	20	6500	3775	4100	3005	3590	2255	595	280
CM4-8000-1,8	8	11,1	630	32	25	8200	4215	4840	3370	4030	2355	670	350
CM4-10000-1,8	10	11,1	630	32	32	9800	4315	4865	3545	4225	2805	670	350
CM4-12500-1,8	12,5	11,3	710	36	40	12500	4750	5140	3860	4520	2890	755	380

SUBJECT TO CHANGE WITHOUT NOTICE.

Reeving system 1:4 / 1:5

You can request any model's offer visiting our web site www.blug.es or sending an email to comercial@blug.es