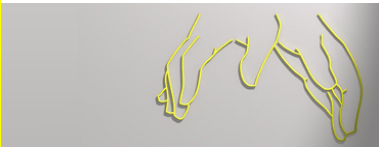


MACHINE TYPE
CLAMSHELL GRAB
WORKING SYSTEM
MECHANICAL
MATERIAL TO BE HANDLED

REFERENCE
CM4G-0,8



MAX. MATERIAL DENSITY
0,8 T/M³
CABLE QUANTITY
4



CM4-0,8

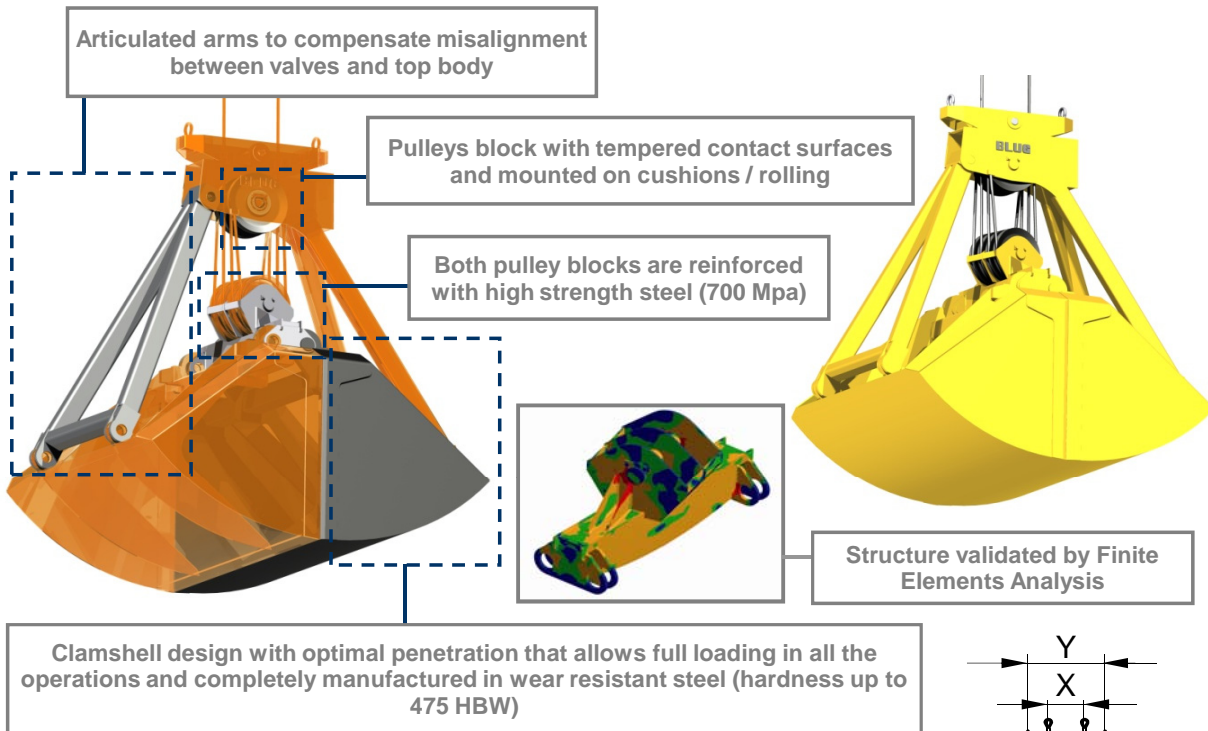


CM4G-1,1



CM4-1,1

FERTILIZER, PILED AND BULK MATERIAL UP TO 0,8 t/m³ DENSITY

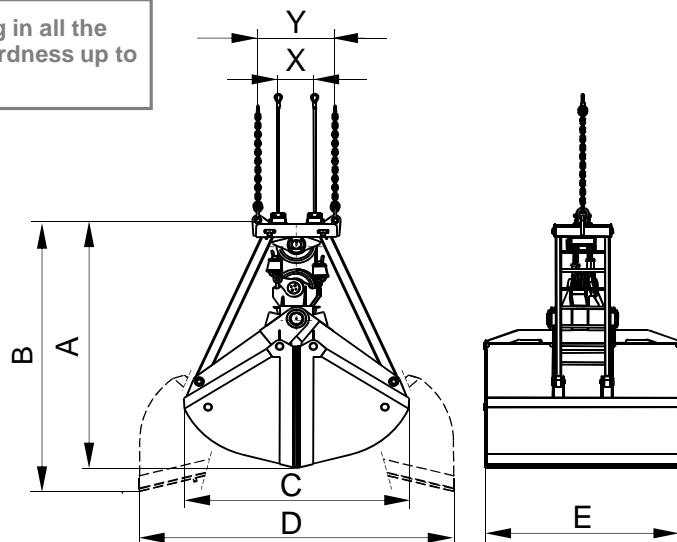


Equipment needed

- 2 lifting cables.
- 2 opening / closing cables.

Technical information

- Ecologically friendly closed valve structure (optional).
- Complete load through maximum penetration force.
- Design & fabrication according to standard FEM 1001/98 section I.
- CE conformity.



Reference	Capacity 30° slope m ³	Withdrawn cable m	Pulley Ø mm	Cable Ø mm	Crane SWL t	Weight kg	Dimensions mm						
							A	B	C	D	E	X	Y
CM4G-26000-0,8	26	9	560	32	32	9900	4800	6080	4450	5320	4000	595	1000
CM4G-28500-0,8	28,5	9,8	630	36	35	11300	4970	6150	4530	5470	4200	670	1400
CM4G-30000-0,8	30	9,8	630	36	40	12200	5050	6200	4600	5600	4400	670	1400
CM4G-35000-0,8	35	9,8	630	36	45	13400	5250	6530	4750	5800	4450	670	1400
CM4G-40000-0,8	40	10,5	710	40	50	14900	5500	6650	5300	5850	4600	755	2400
CM4G-45000-0,8	45	10,5	710	40	55	15800	5700	6750	5600	6000	4800	755	2400

SUBJET TO CHANGE WITHOUT NOTICE.

Reeving system 1:3

You can request any model's offer visiting our web site www.blug.es or sending an email to comercial@blug.es