

More information:  
[www.blug.es/eng/productos/](http://www.blug.es/eng/productos/)

**BLUG**<sup>®</sup>  
 Credeblug, s.l.

**MACHINE TYPE**  
**CLAMSHELL GRAB**  
**WORKING SYSTEM**  
**ELECTRO-HYDRAULIC**  
**MATERIAL TO BE HANDLED**



**REFERENCE**  
**CV2-2,8**

p. 30



**MAX. MATERIAL DENSITY**  
**2,8 T/M<sup>3</sup>**  
**CYLINDER QUANTITY**  
**2**

**RELATED PRODUCTS**



**C4-2,8**



**C2H-2,8**



**CM4-2,8**

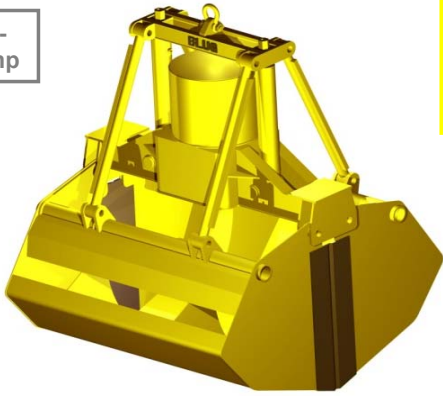
**PILED AND BULK MATERIAL UP TO 2,8 t/m<sup>3</sup> DENSITY**

Hydraulic unit equipped with self-regulated piston variable flow pump

Full protected hydraulic cylinders

Structure validated by Finite Elements Analysis

Clamshell design with optimal penetration that allows full loading in all the operations thanks to a kinematic design at lifting and penetration mode including wear resistant lips

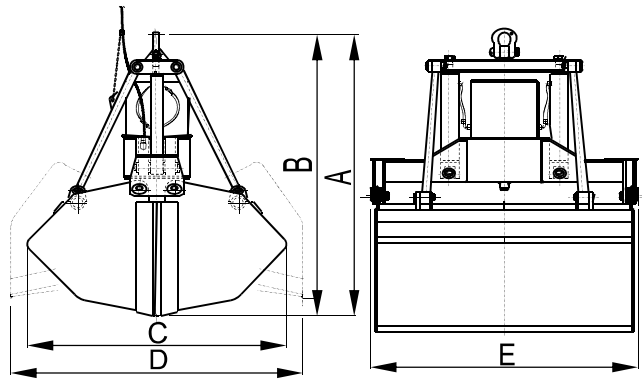


**Equipment needed**

- Hook(s) or lifting chain(s).
- Electric connection for hydraulic unit.

**Technical information**

- Robust structure in S355 J2G3 rolled steel.
- Oil tank tightly enclosed and protected from environment impurities.
- Reduced height, multi-stable, can work at any angle (± 60°).
- Design & fabrication according to standard FEM 1001/98 section I.
- CE conformity.



Reference	Capacity m <sup>3</sup>	Engine 40% ED kW	Intensity 400 V A	Working pressure bar	Closing time s	Opening time s	Crane SWL t	Weight kg	Dimensions mm				
									A	B	C	D	E
CV2-3000-2,8	3	31,5	61	200	12	8	16	4250	2690	2975	2155	2100	2150
CV2-3500-2,8	3,5	40	74,5	170	14	10	16	5450	3170	3260	2500	2745	2150
CV2-4000-2,8	4	40	74,5	190	16	11	20	5630	3230	3275	2800	2860	2150
CV2-5000-2,8	5	62,5	117	180	14	10	25	7550	3400	3470	2900	2985	2490
CV2-6300-2,8	6,3	62,5	117	170	19	14	32	10750	3730	3855	3100	3110	2850
CV2-8000-2,8	8	70	129	200	19	14	40	11300	3910	3895	3500	3460	2850

SUBJET TO CHANGE WITHOUT NOTICE.

You can request any model's offer visiting our web site [www.blug.es](http://www.blug.es) or sending an email to [comercial@blug.es](mailto:comercial@blug.es)