

MACHINE TYPE
TONG
WORKING SYSTEM
ELECTRO-MECHANICAL
OTHER POSSIBLE MATERIALS



REFERENCE
PEB-200

MATERIAL TO BE HANDLED
COILS
WORKING AXIS
VERTICAL/HORIZONTAL

RELATED PRODUCTS



GG-103

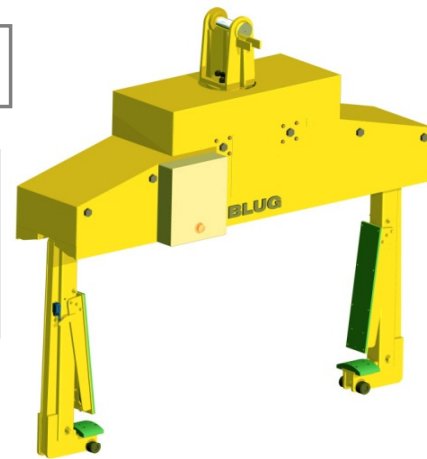
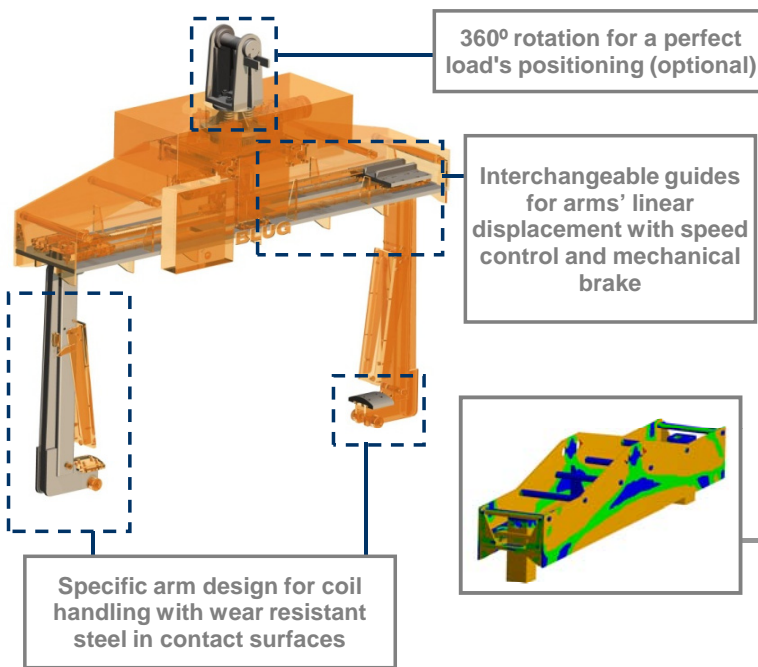


PEH-104

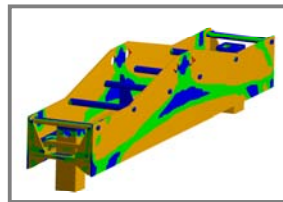


PED-201

TO HANDLE AND POSITION ALL TYPE OF COIL AND LOADS ON PALLETS



Structure validated by Finite Elements Analysis

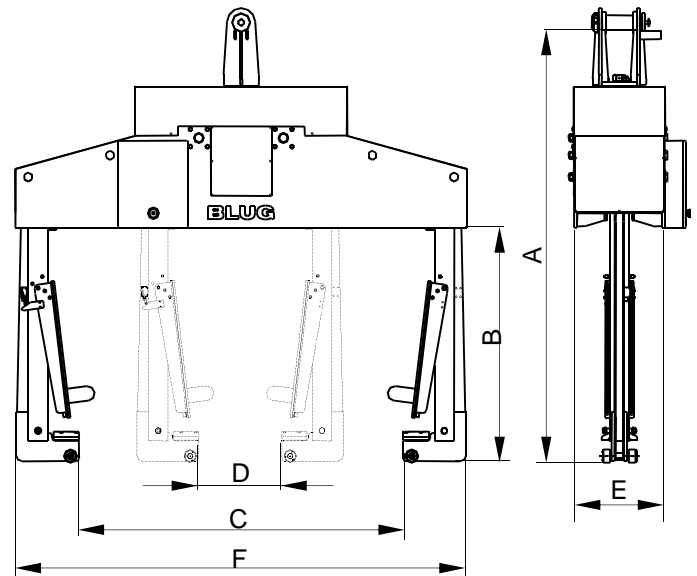


Equipment needed

- Lifting hook.
- Electric connection for electro-mechanical system.

Technical information

- Robust structure in S355 J2G3 rolled steel.
- Luminous signposting of status.
- Gripping force protection system.
- Maximum / minimum opening control device.
- Safety switch to avoid opening when loaded.
- Design & fabrication according to standard FEM 1001/98 section I.
- CE conformity.



| Reference | Capacity | Engine | Intensity | Load's maximum | Crane | Weight | Dimensions | | | | | |
|------------|----------|--------|-----------|----------------|-------|--------|------------|------|------|-----|-----|------|
| | t | kW | 400 V | temperature | | | mm | A | B | C | D | E |
| PEB-200-15 | 15 | 2,2 | 5,15 | 600 | t | kg | A | B | C | D | E | F |
| PEB-200-20 | 20 | 2,2 | 5,15 | 600 | 18 | 1900 | 2070 | 1000 | 1900 | 100 | 400 | 2500 |
| PEB-200-25 | 25 | 2,2 | 5,15 | 600 | 25 | 2150 | 2150 | 1150 | 2100 | 100 | 450 | 2800 |
| PEB-200-35 | 35 | 2,2 | 5,15 | 600 | 40 | 2350 | 2290 | 1300 | 2100 | 200 | 450 | 2800 |
| PEB-200-40 | 40 | 3 | 6,7 | 600 | 50 | 2800 | 2350 | 1350 | 2200 | 200 | 550 | 3000 |
| PEB-200-50 | 50 | 3 | 6,7 | 600 | 55 | 3150 | 2500 | 1500 | 2200 | 200 | 550 | 3000 |

SUBJET TO CHANGE WITHOUT NOTICE.

You can request any model's offer visiting our web site www.blug.es or sending an email to comercial@blug.es